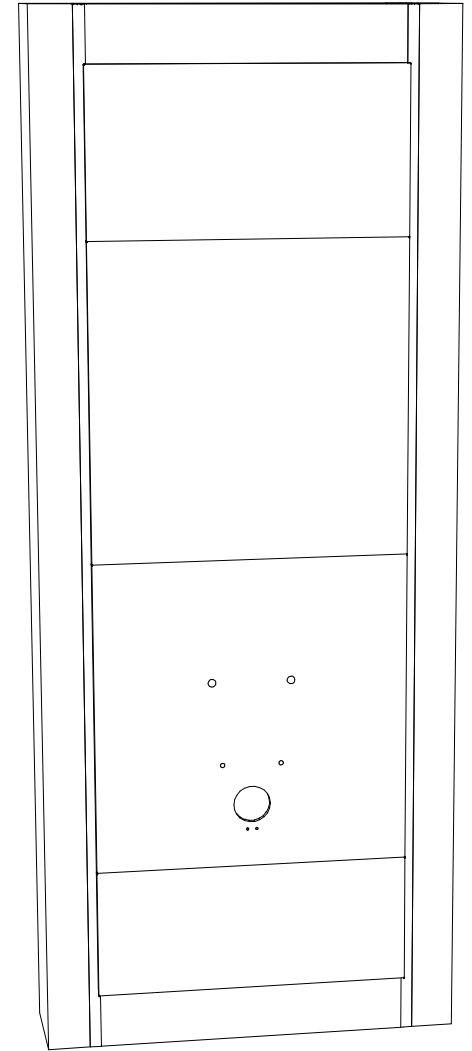
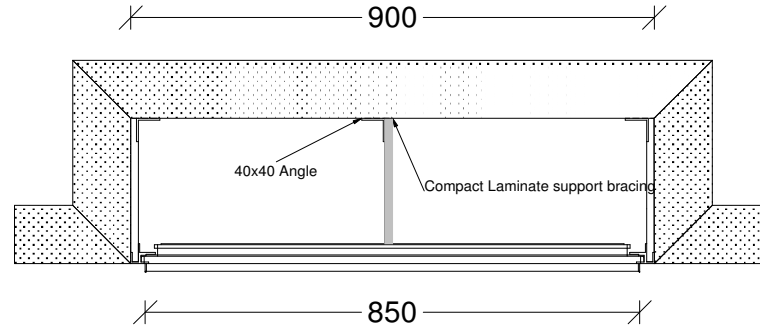
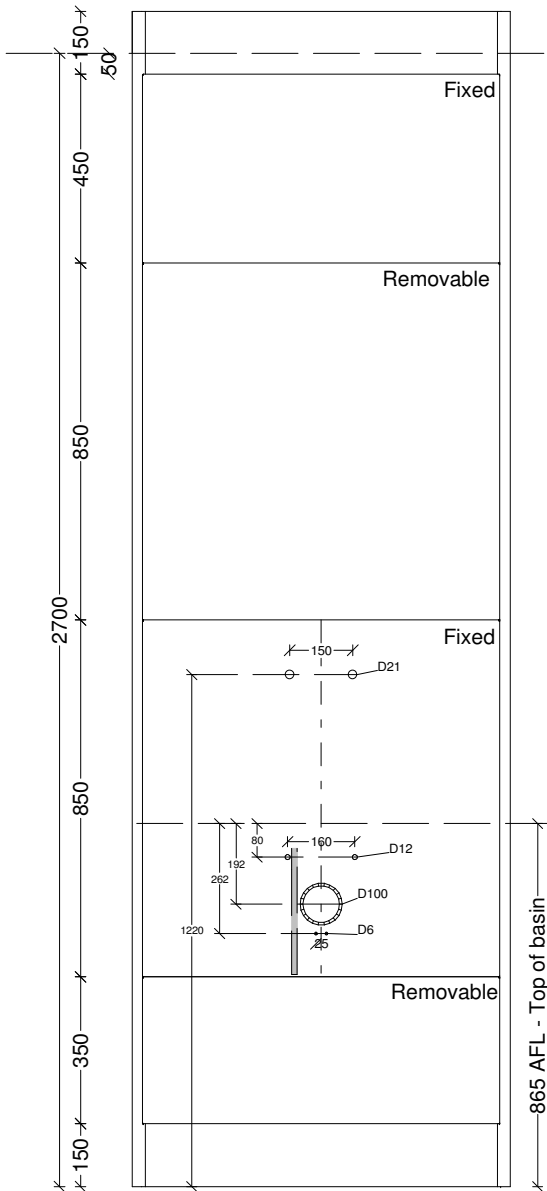


# Standard Nursing Station - In Wall Clinic 600 Basin



Panel Finish: Room dependent

D = Hole Diameter



33 Morgan Street  
Rockingham, 6168  
Sales@WCCI.com.au

Revision	Revision Description	Date
A	Issue for review	06/03/14
B	Changes made from last review	18/03/14
C	Basin height noted	30/04/14
D	Depth adjusted to suit 100mm clear internal	16/05/14
E	Added dimensions	05/06/04
F	Strut added	02/07/14
G	Strut detail added, Hole diameters updated	09/07/14
1	For Construction	12/11/14
2	As Built	23/03/15
3	As Built	08/07/15

Scale  
1:15 @A3

Client

Project Name

Drawing

Rev

3

Sheet Name